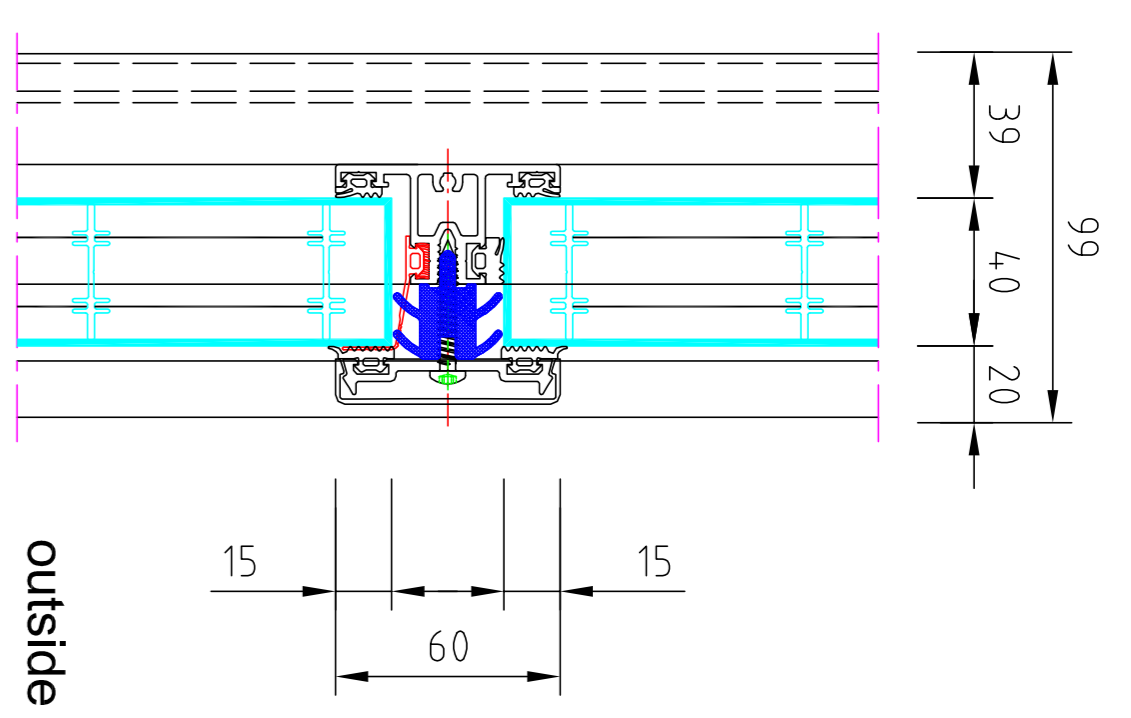


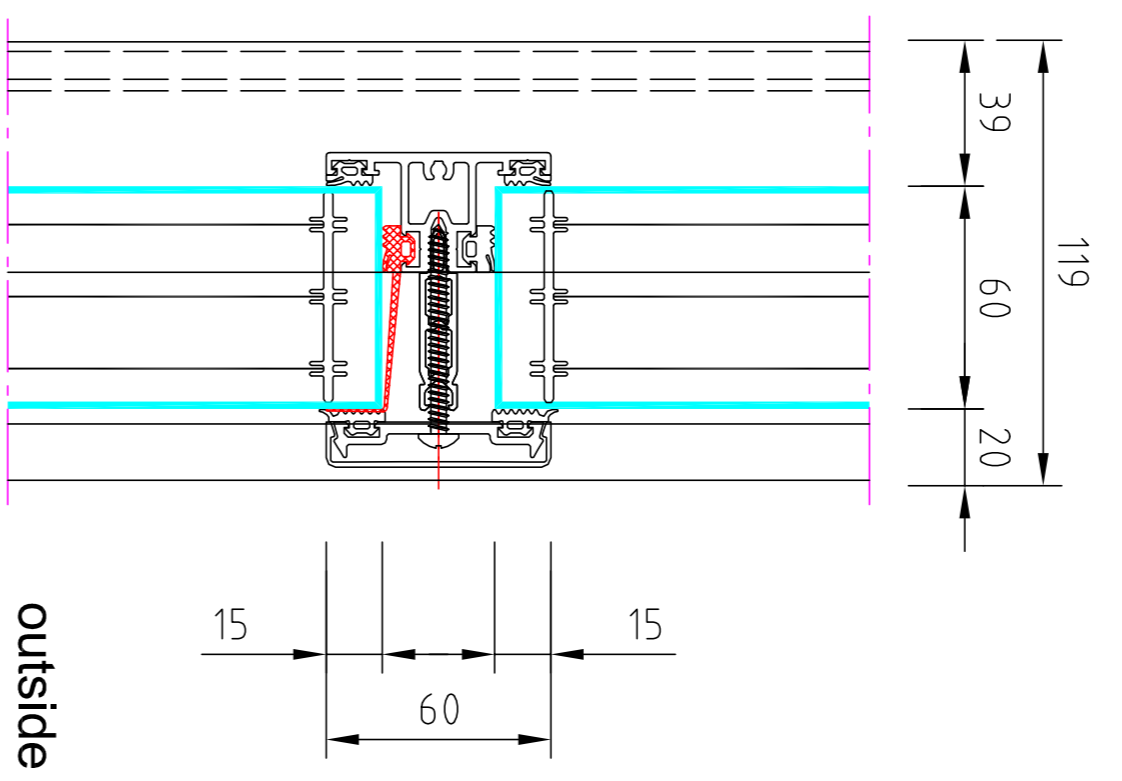
profile series 40 sx / 40 w + 60 sx / 60 w

transom profile 1

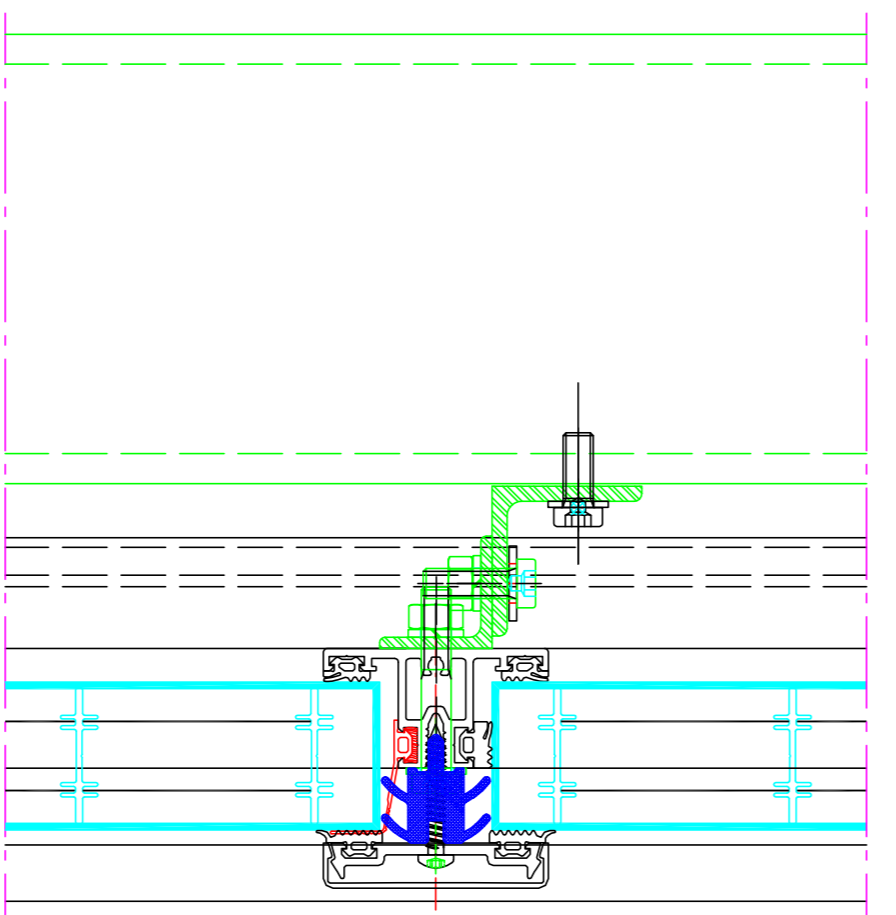
7040.0520



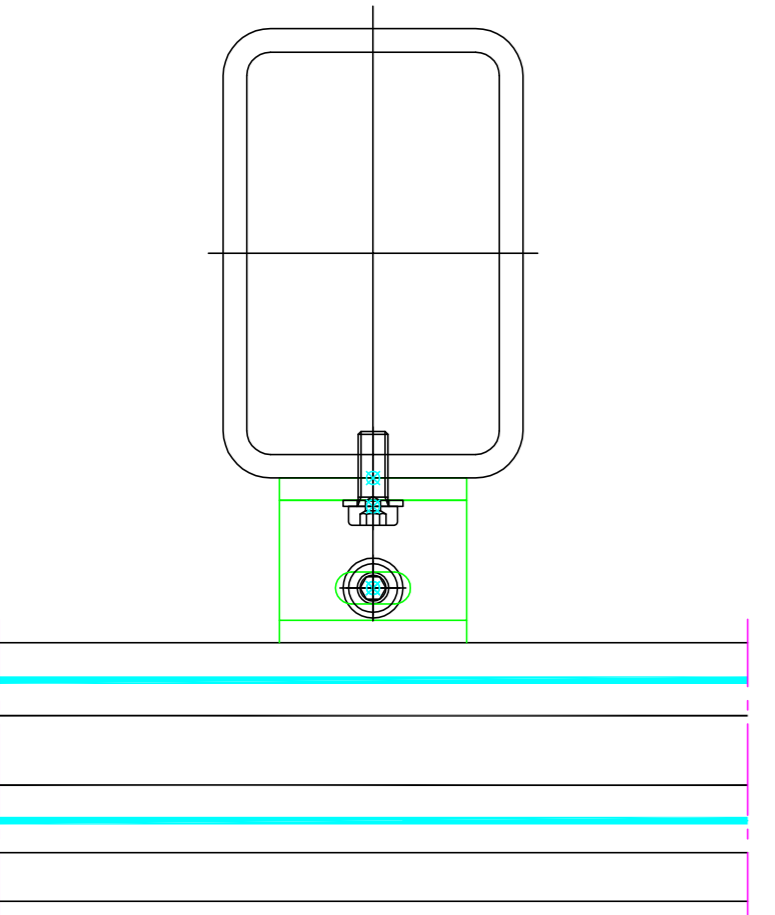
twin-walled fibreglass panel d= 40 mm



twin - walled fibreglass panel d= 60 mm



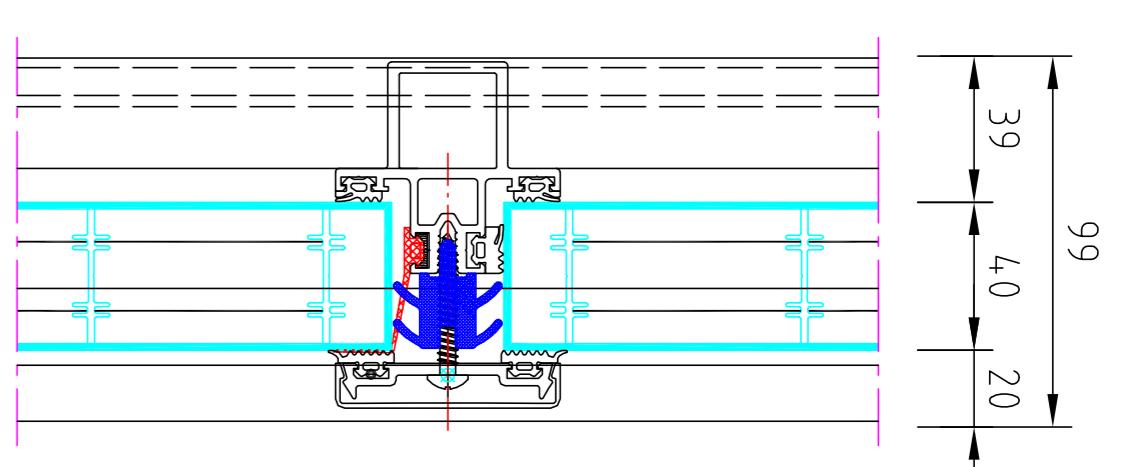
vertical steel construction provided by client



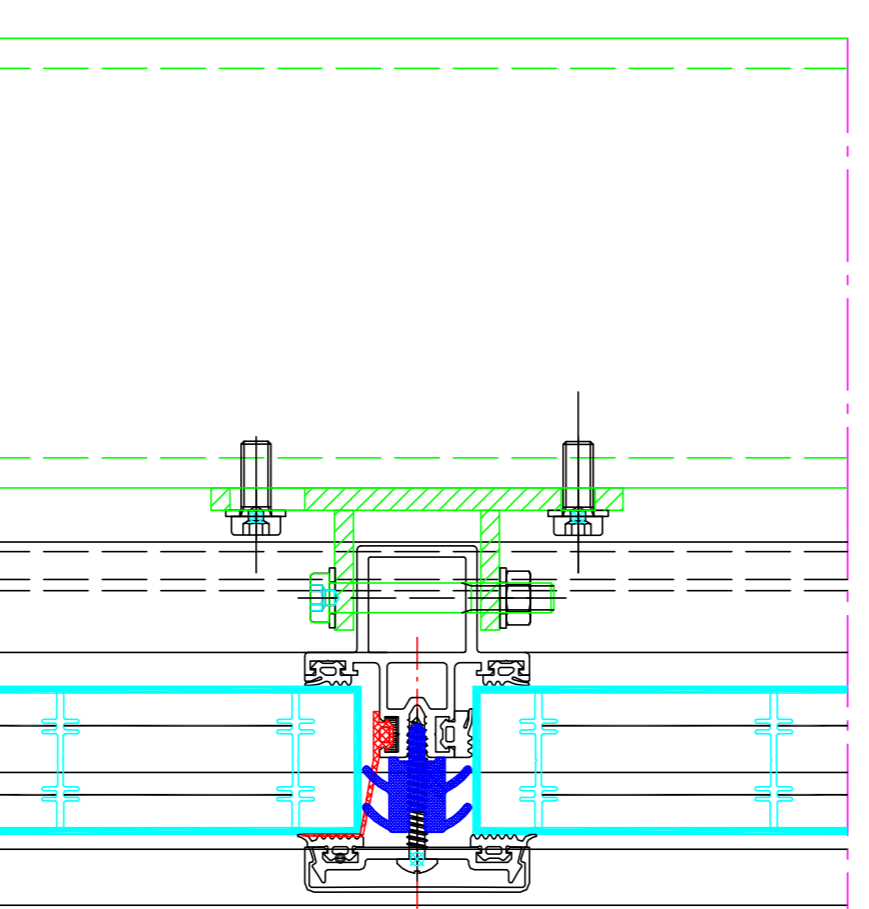
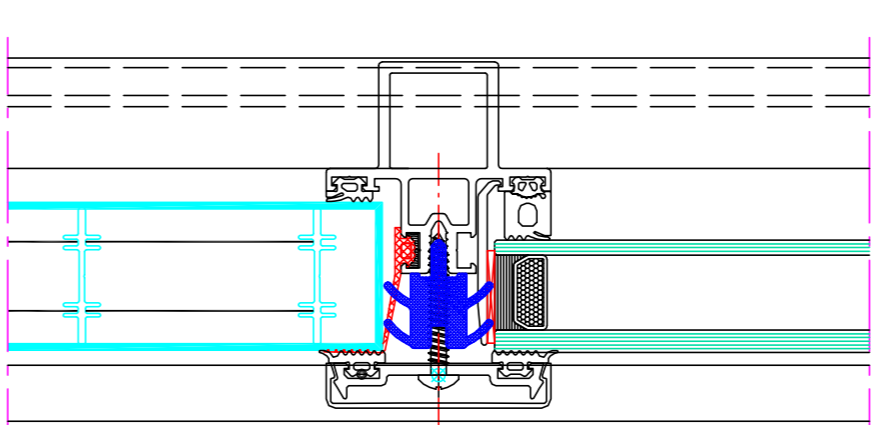
profile series 40 sx / 40 w + 60 sx / 60 w

transom profile 3

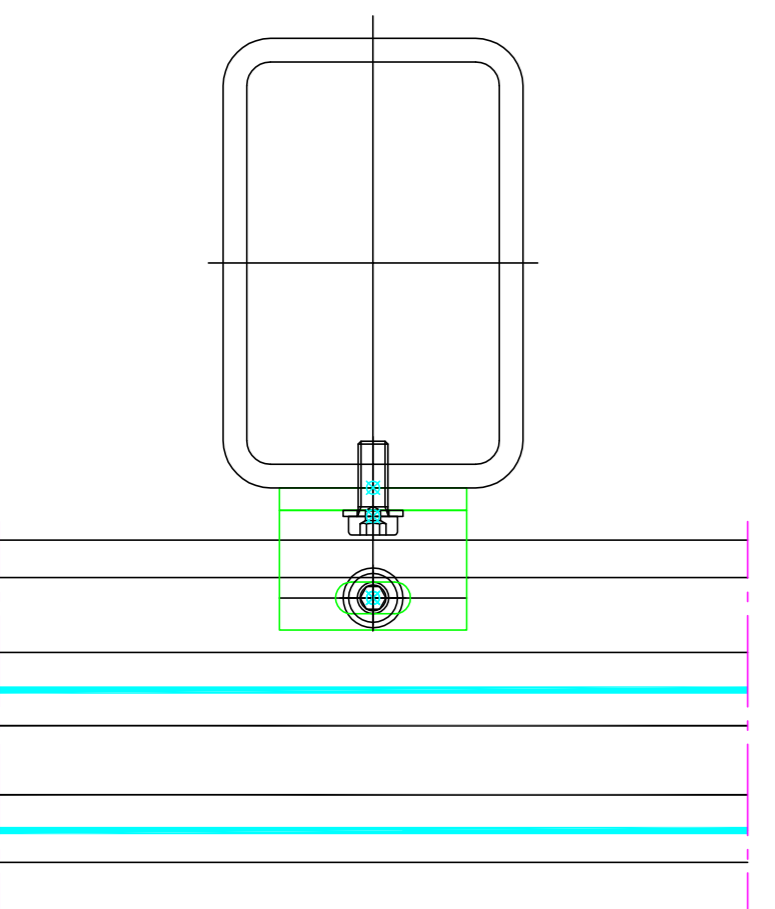
7040.0523



insulated glass



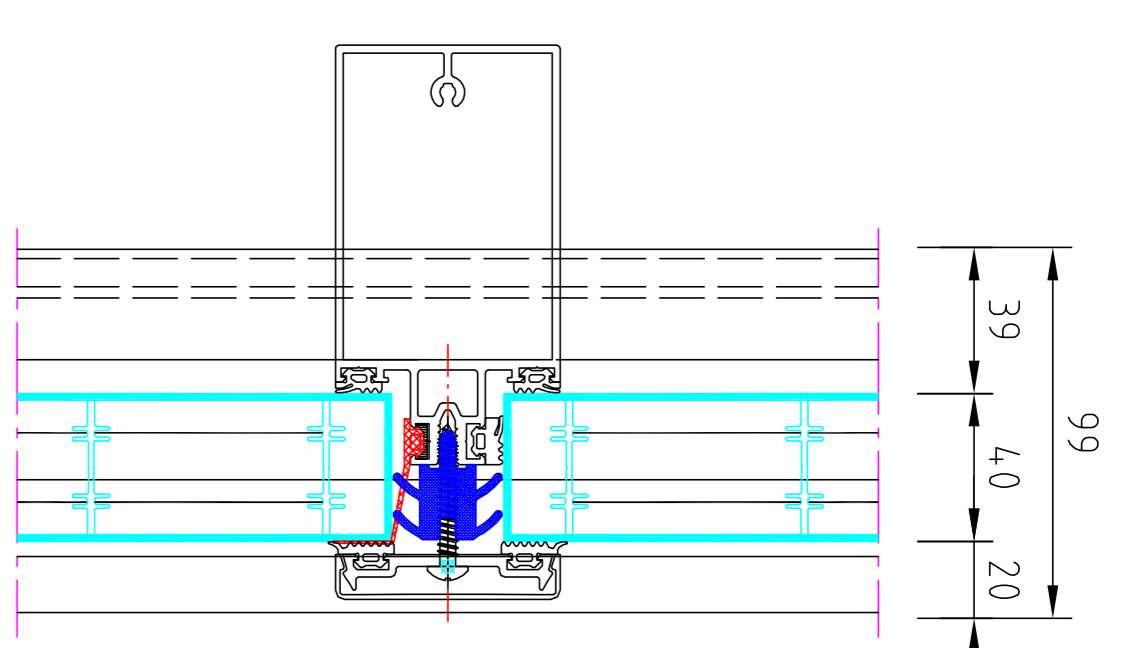
vertical steel construction provided by client



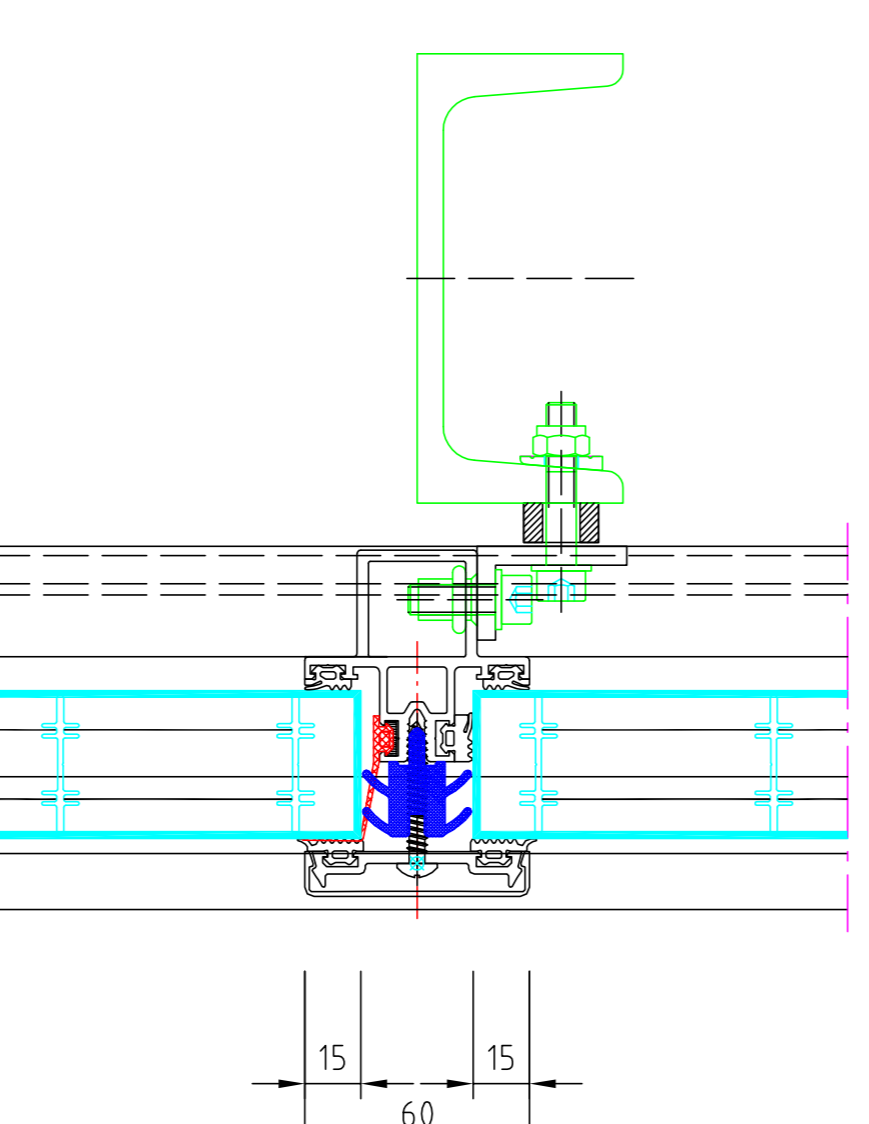
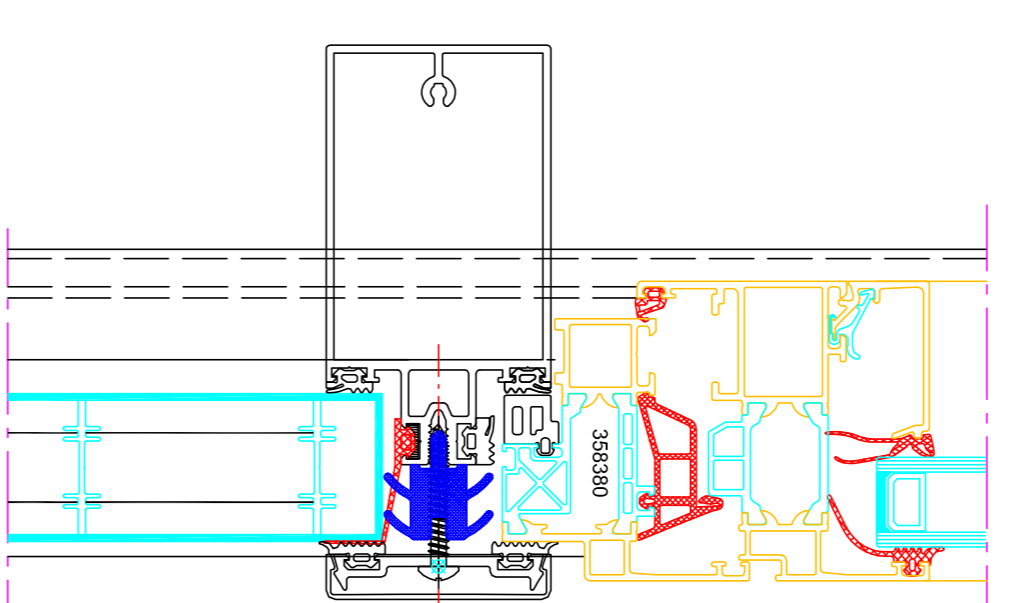
profile series 40 sx / 40 w + 60 sx / 60 w

transom profile 4

7040.0524



embedded element



horizontal steel construction provided by client

