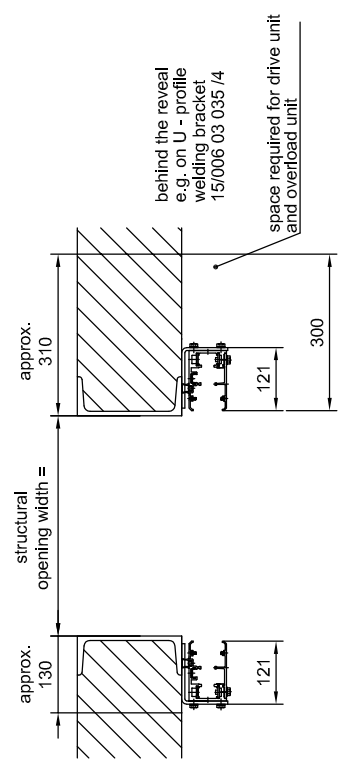
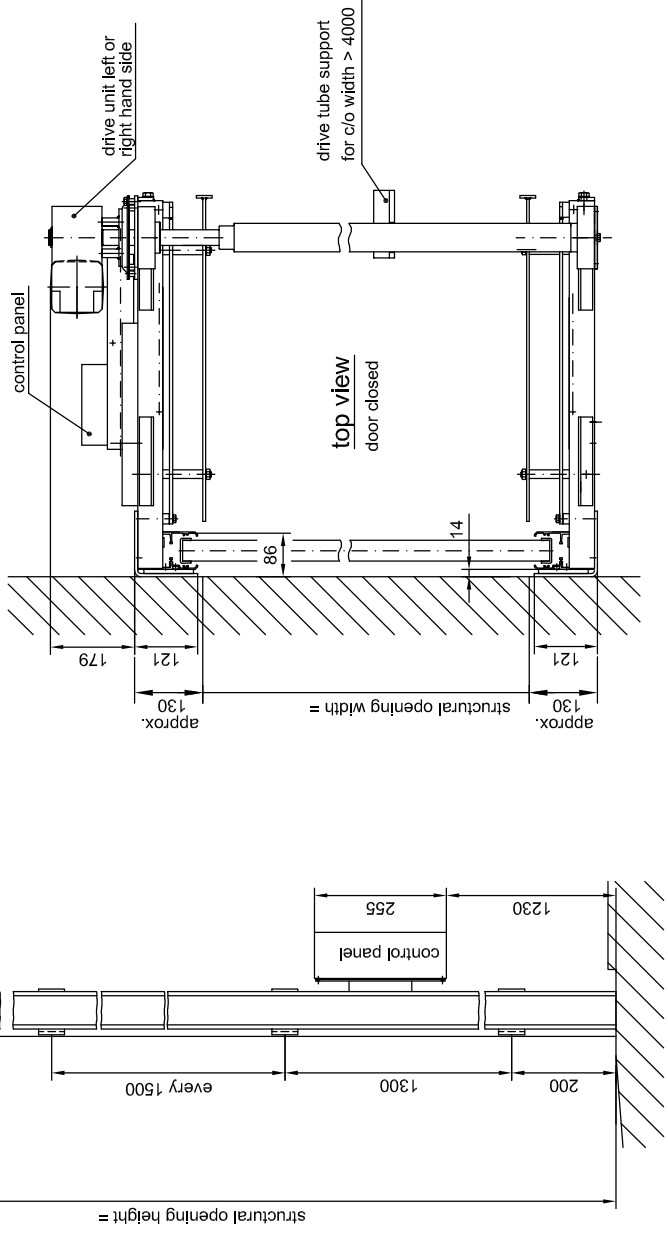
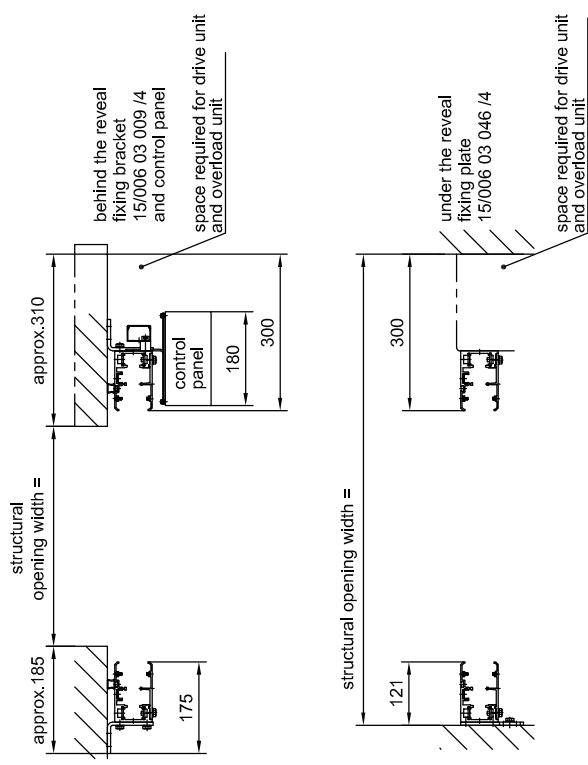
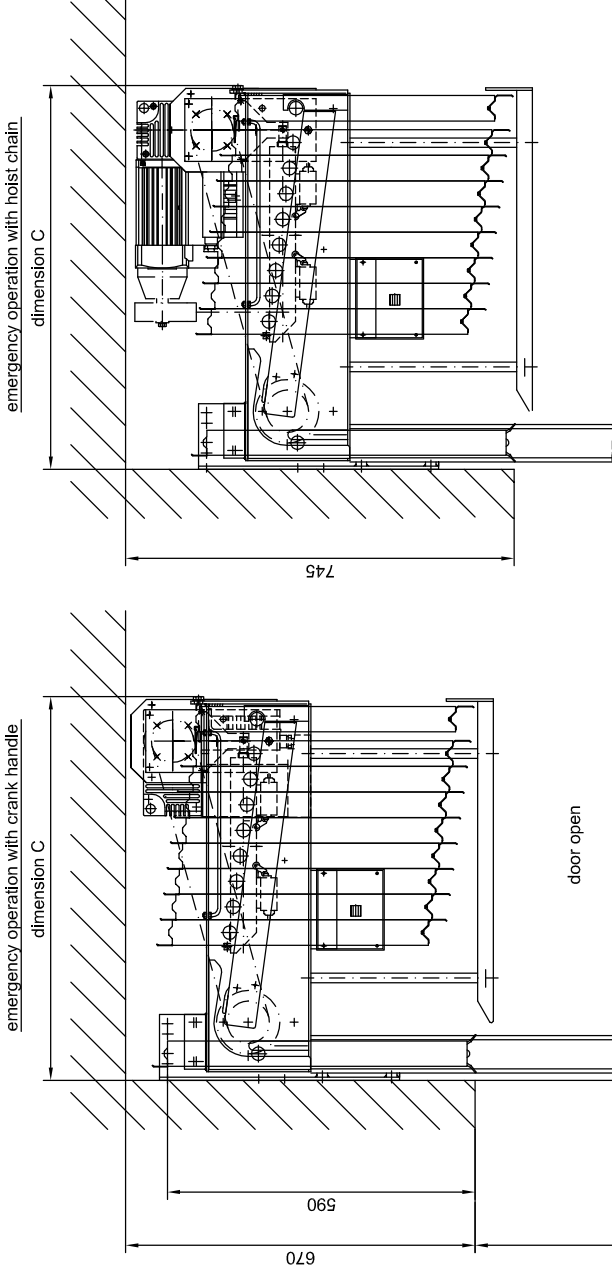


mounting and fixing details



structural opening height	door panels	dimension "C"
up to 3000	up to 6	550
from 3000 up to 5000	7-10	750

HT 40 K

technical data sheet, with overload unit

05/160/2

April 2008

CAD: ht40K-overload-unit

Umschreibungsmerk DIN 34

BUTZBACH
MADE IN GERMANY

Industriestore - Weiherstr. 16
D - 89293 Kellmünz

subject to technical alterations!