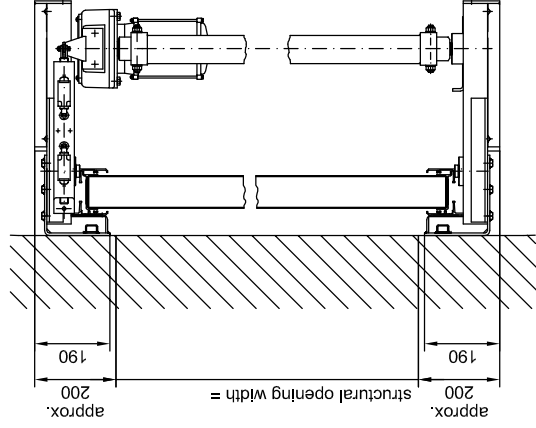
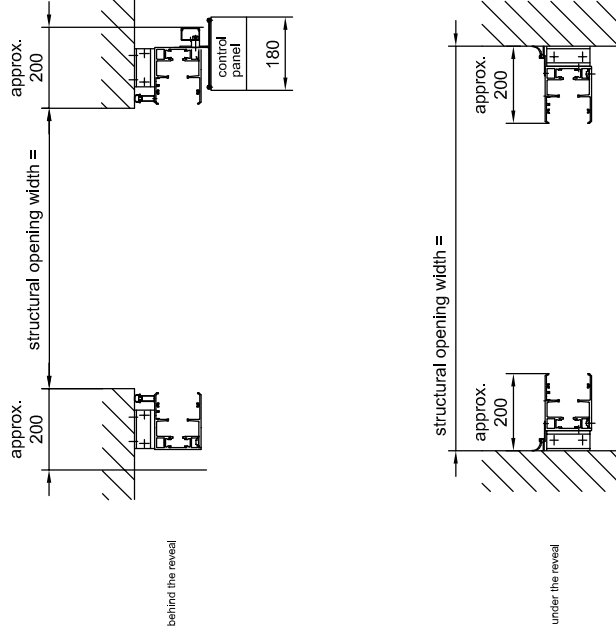
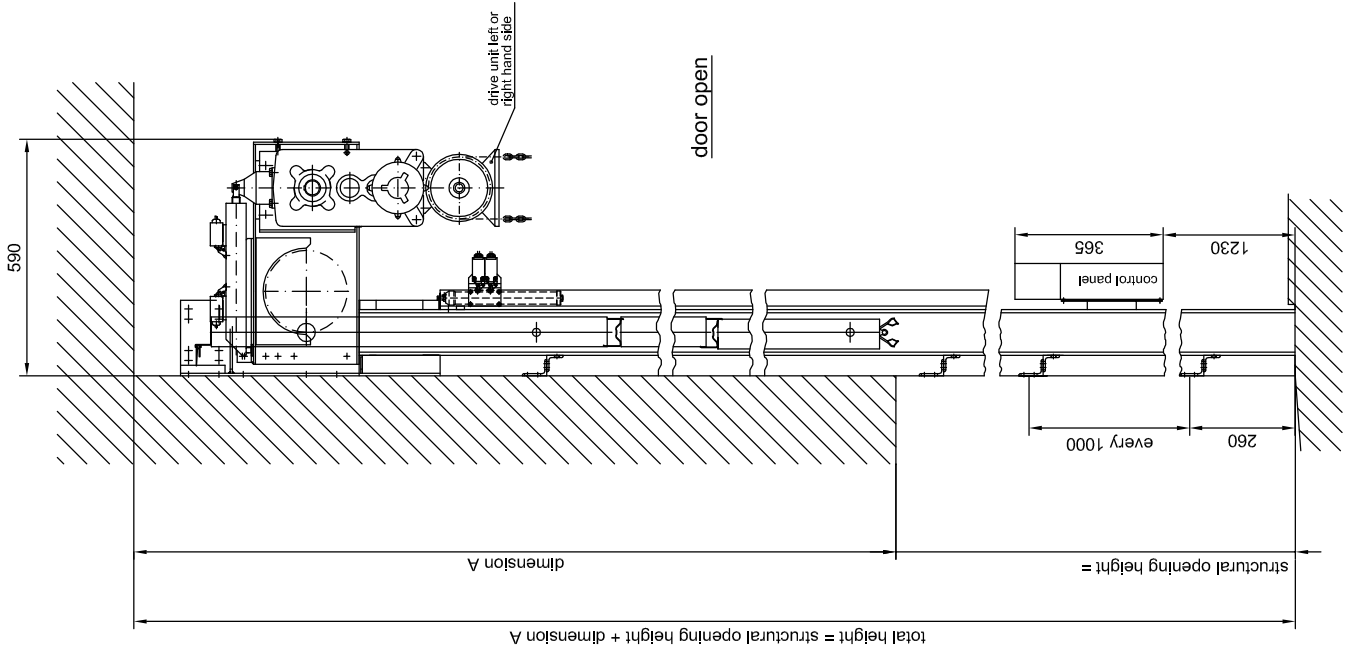


mounting and fixing details



door panels	2	3	4	5	6
dimension A	2256	3256	4256	5256	6256
structural opening height max.	2080	3060	4040	5020	6000

**HT 80/260 V**

technical data sheet

05/231/2

subject to technical alterations!

Sept. 2009

CAD: ht80-260-V

Uneherschutzvermerk DIN 34

**BUTZBACH**  
MADE IN GERMANY

Industriestore - Weiherstr. 16  
D - 89293 Kellmünz