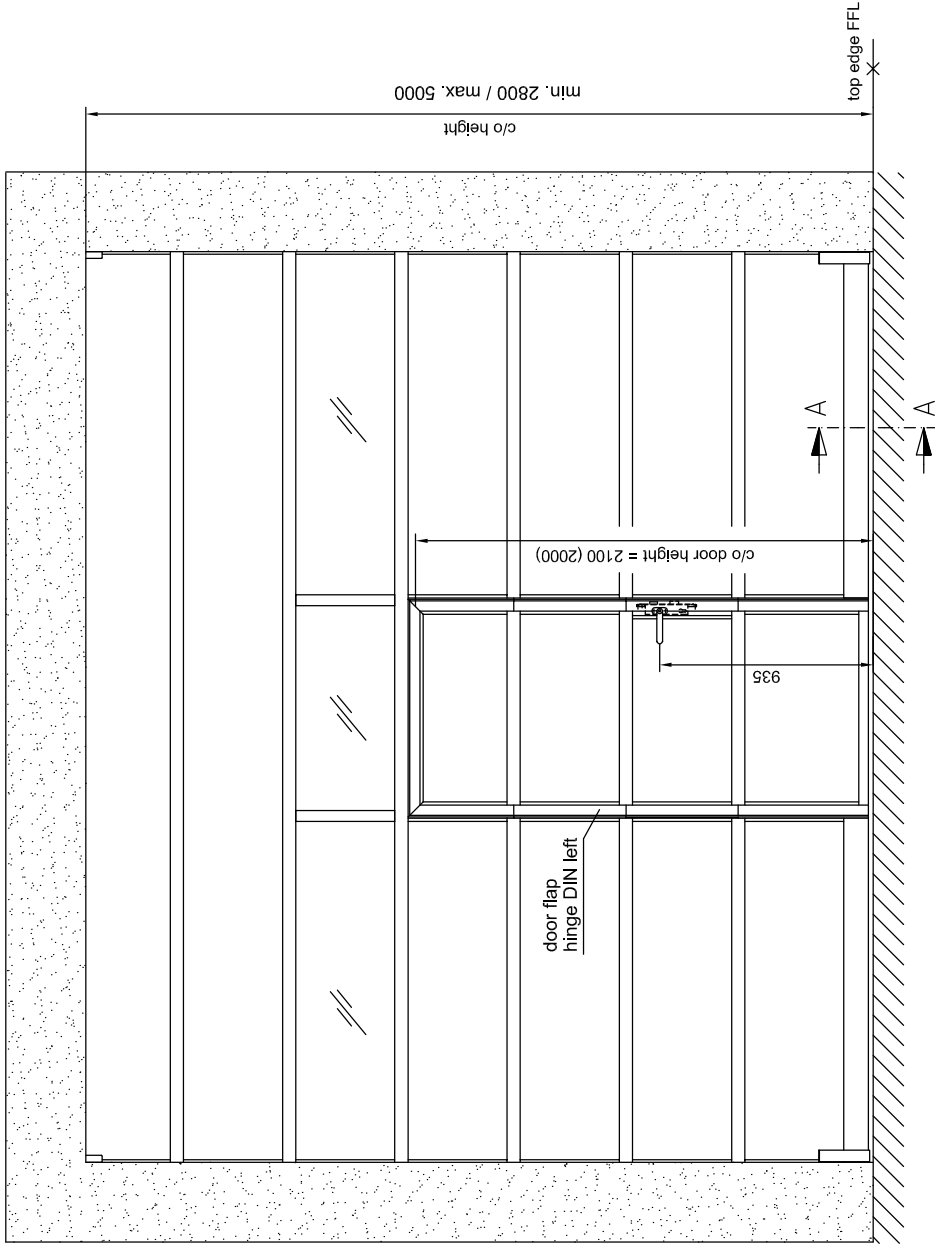
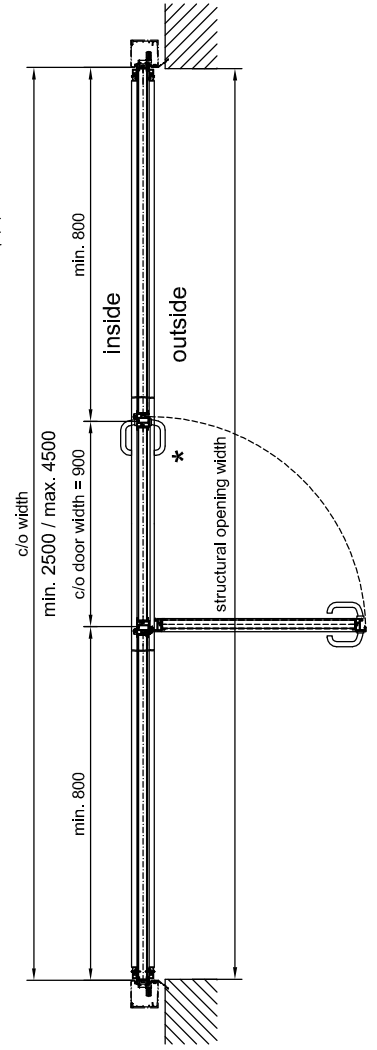
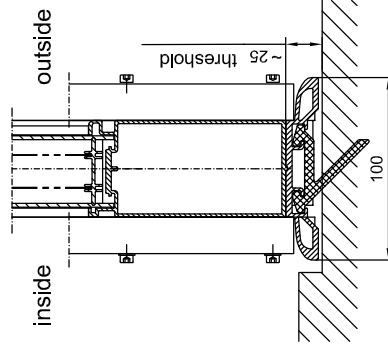


view from outside

5th door panel shown as vision element



section A-A
enlarged



filling vision element: door only in centre-position
 door off-centre possible (please consider the minimum dimension of 800)
 fibreglass filling:

* high door handle for a lintel height ≤ 690 mm
 low door handle for a lintel height ≥ 691 mm and for vertical doors

HTU 40/III

technical data sheet: conventional design with door

1.05/0469/2

subject to technical alterations!

Feb. 2010

CAD:

htu40III-standard-mk-Türe

Umbeschutzvermerk DIN 34

BUTZBACH
 MADE IN GERMANY

Industriestore - Weiherstr. 16

D - 89293 Kellmünz