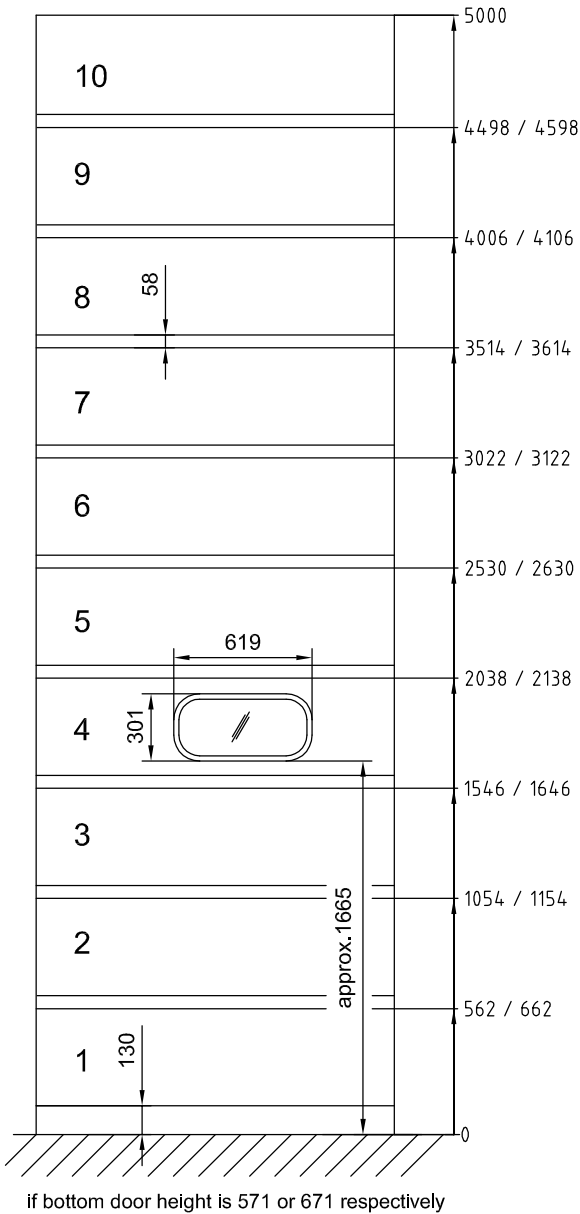
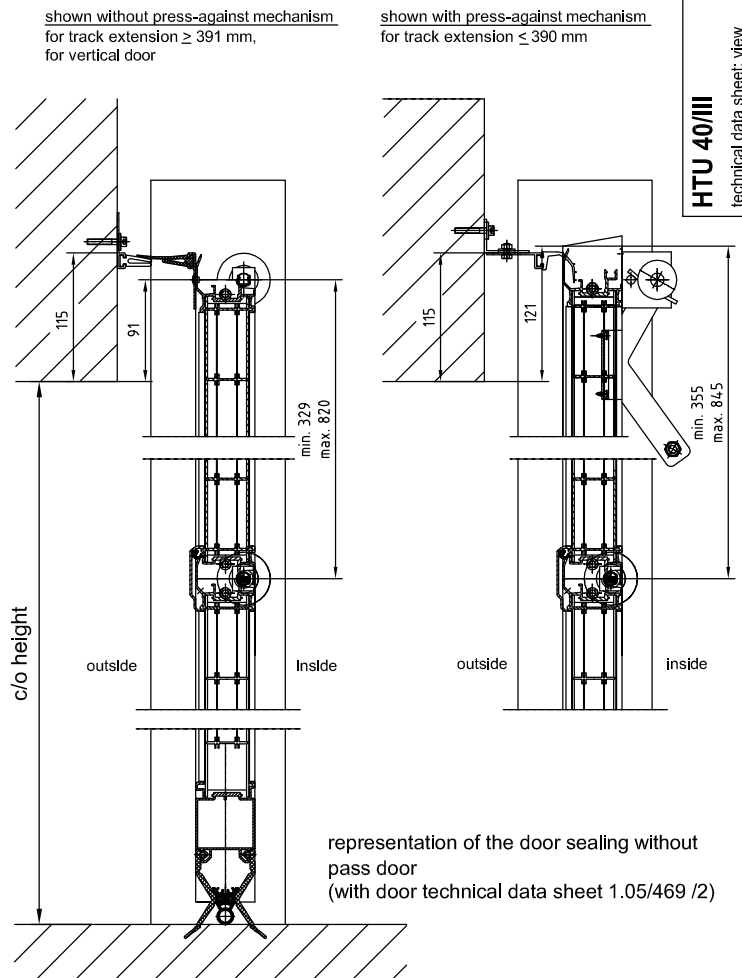


view from outside



vertical section
enlarged



| door panel number for bottom door height of 571 (door height = 2000) | 5 | 6 | 7 | 8 | 9 | 10 |
|--|------|------|------|------|------|------|
| min. dimension "c/o height" | 2550 | 2768 | 3260 | 3752 | 4244 | 4736 |
| max. dimension "c/o height" | 2762 | 3254 | 3746 | 4238 | 4730 | 5222 |

| door panel number for bottom door height of 671 (door height = 2100) | 5 | 6 | 7 | 8 | 9 | 10 |
|--|------|------|------|------|------|------|
| min. dimension "c/o height" | 2550 | 2868 | 3360 | 3852 | 4344 | 4836 |
| max. dimension "c/o height" | 2862 | 3354 | 3846 | 4338 | 4830 | 5322 |

Note!

For door systems incl. a pass door at least 6 door panels are obligatory.